

**Qty. Description**

1 CM 10-2 A-R-A-E-AVBE F-A-A-N



**Note! Product picture may differ from actual product**

Product No.: On request

Compact, reliable, horizontal, multistage, end-suction centrifugal pump with axial suction port and radial discharge port. The shaft, impellers and chambers are made of stainless steel. The inlet and discharge parts are made of cast iron. The mechanical shaft seal is a special designed, unbalanced O-ring seal. Pipework connection is via internal Whitworth pipe threads, Rp (ISO 7/1).

The pump is fitted with a 3-phase, foot-mounted, fan-cooled asynchronous motor.

**Controls:**

Frequency converter: NONE

**Liquid:**

Pumped liquid: Water  
 Liquid temperature range: 253 .. 363 K  
 Selected liquid temperature: 333 K  
 Density: 983.2 kg/m<sup>3</sup>  
 Kinematic viscosity: 0.48 mm<sup>2</sup>/s

**Technical:**

Pump speed on which pump data are based: 2900 rpm  
 Actual calculated flow: 10.42 m<sup>3</sup>/h  
 Rated flow: 10 m<sup>3</sup>/h  
 Resulting head of the pump: 27.13 m  
 Rated head: 27.09 m  
 Code for shaft seal: AVBE  
 Curve tolerance: ISO9906:2012 3B

**Materials:**

Pump housing: Cast iron  
 EN-GJL-200  
 ASTM A48-25A  
 Impeller: Stainless steel  
 EN 1.4301  
 AISI 304

**Installation:**

Range of ambient temperature: 253 .. 328 K  
 Maximum operating pressure: 1000 kPa  
 Max pressure at stated temp: 1000 kPa / 313 K  
 600 kPa / 363 K  
 Type of connection: Rp  
 Size of inlet connection: 1 1/2 inch  
 Size of outlet connection: 1 1/2 inch  
 Outlet position: 12

**Electrical data:**

Motor standard: IEC

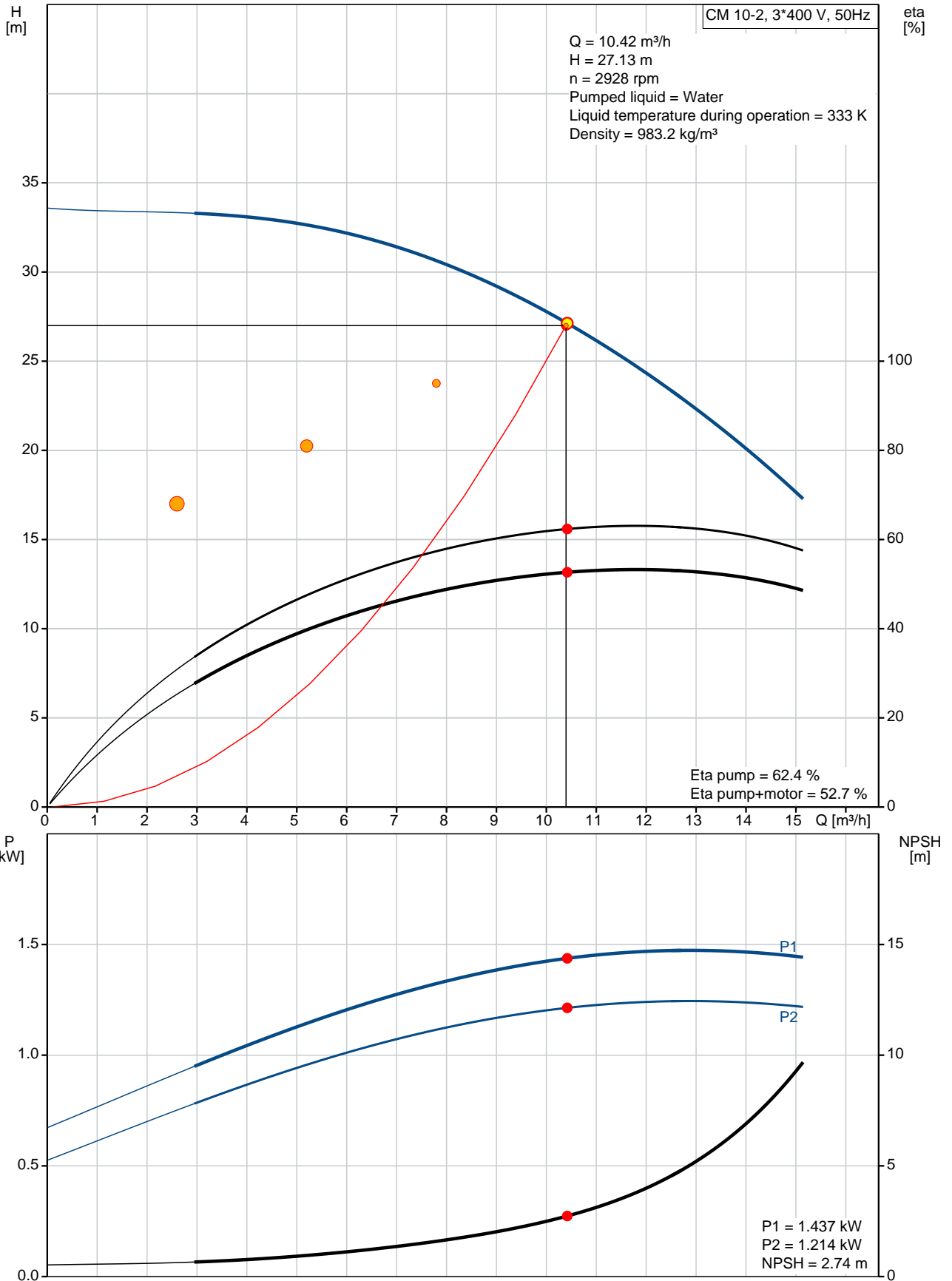
Qty.	Description
------	-------------

Frame size:	90A
IE efficiency class:	IE3
Rated power - P2:	1.5 kW
Mains frequency:	50 Hz
Suitable for 50/60 Hz:	N
Phases:	3
Rated voltage:	220-240D/380-415Y V
Service factor:	1.00
Rated current:	5,45-5,45/3,15-3,15 A
Starting current:	850-930 %
Rated speed:	2890-2910 rpm
Enclosure class (IEC 34-5):	IP55
Insulation class (IEC 85):	F
Built-in motor protection:	NONE

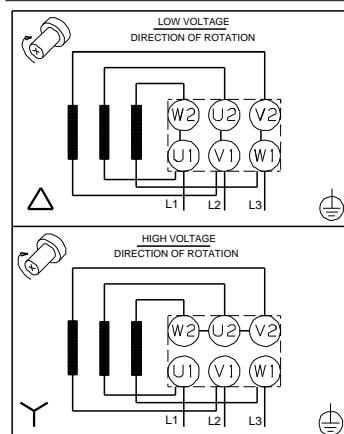
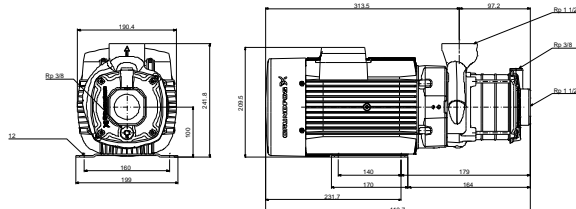
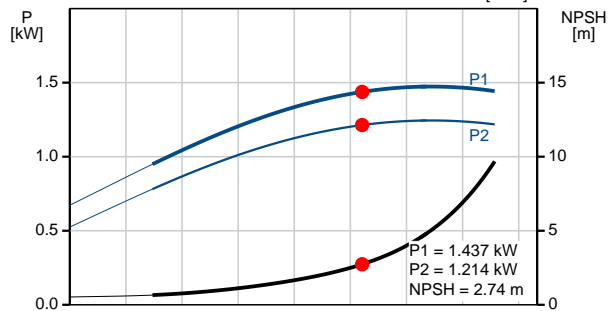
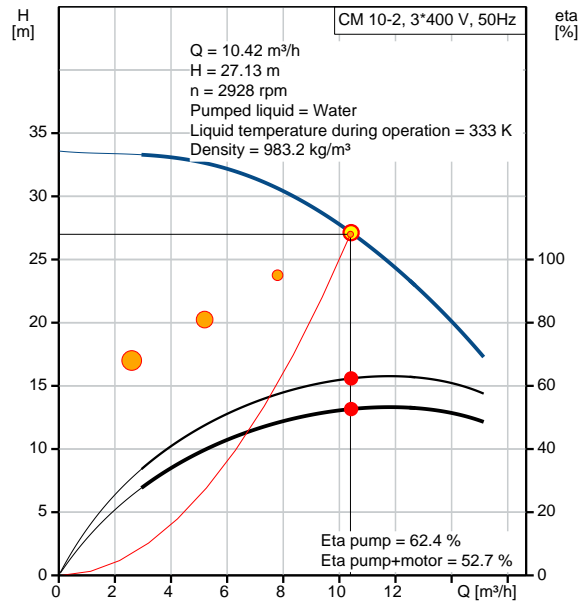
**Others:**

Terminal box position:	12
Minimum efficiency index, MEI :	0.7
Net weight:	31.3 kg
Gross weight:	33.8 kg
Approvals:	CE,CCC,WRAS,ACS,TR,EAC

## On request CM 10-2 A-R-A-E-AVBE F-A-A-N 50 Hz



Description	Value
<b>General information:</b>	
Product name:	CM 10-2 A-R-A-E-AVBE F-A-A-N
Product No:	On request
EAN number:	On request
	On request
<b>Technical:</b>	
Pump speed on which pump data are based:	2900 rpm
Actual calculated flow:	10.42 m <sup>3</sup> /h
Rated flow:	10 m <sup>3</sup> /h
Resulting head of the pump:	27.13 m
Rated head:	27.09 m
Impellers:	2
Code for shaft seal:	AVBE
Curve tolerance:	ISO9906:2012 3B
Pump version:	A
Model:	A
<b>Materials:</b>	
Pump housing:	Cast iron EN-GJL-200 ASTM A48-25A
Impeller:	Stainless steel EN 1.4301 AISI 304
Material code:	A
Code for rubber:	E
<b>Installation:</b>	
Range of ambient temperature:	253 .. 328 K
Maximum operating pressure:	1000 kPa
Max pressure at stated temp:	1000 kPa / 313 K 600 kPa / 363 K
Type of connection:	Rp
Size of inlet connection:	1 1/2 inch
Size of outlet connection:	1 1/2 inch
Outlet position:	12
Connect code:	R
<b>Liquid:</b>	
Pumped liquid:	Water
Liquid temperature range:	253 .. 363 K
Selected liquid temperature:	333 K
Density:	983.2 kg/m <sup>3</sup>
Kinematic viscosity:	0.48 mm <sup>2</sup> /s
<b>Electrical data:</b>	
Motor standard:	IEC
Frame size:	90A
IE efficiency class:	IE3
Rated power - P2:	1.5 kW
Mains frequency:	50 Hz
Suitable for 50/60 Hz:	N
Phases:	3
Rated voltage:	220-240D/380-415Y V
Service factor:	1.00
Rated current:	5,45-5,45/3,15-3,15 A
Starting current:	850-930 %
Rated speed:	2890-2910 rpm
Enclosure class (IEC 34-5):	IP55
Insulation class (IEC 85):	F
Built-in motor protection:	NONE





Company name:

Created by:

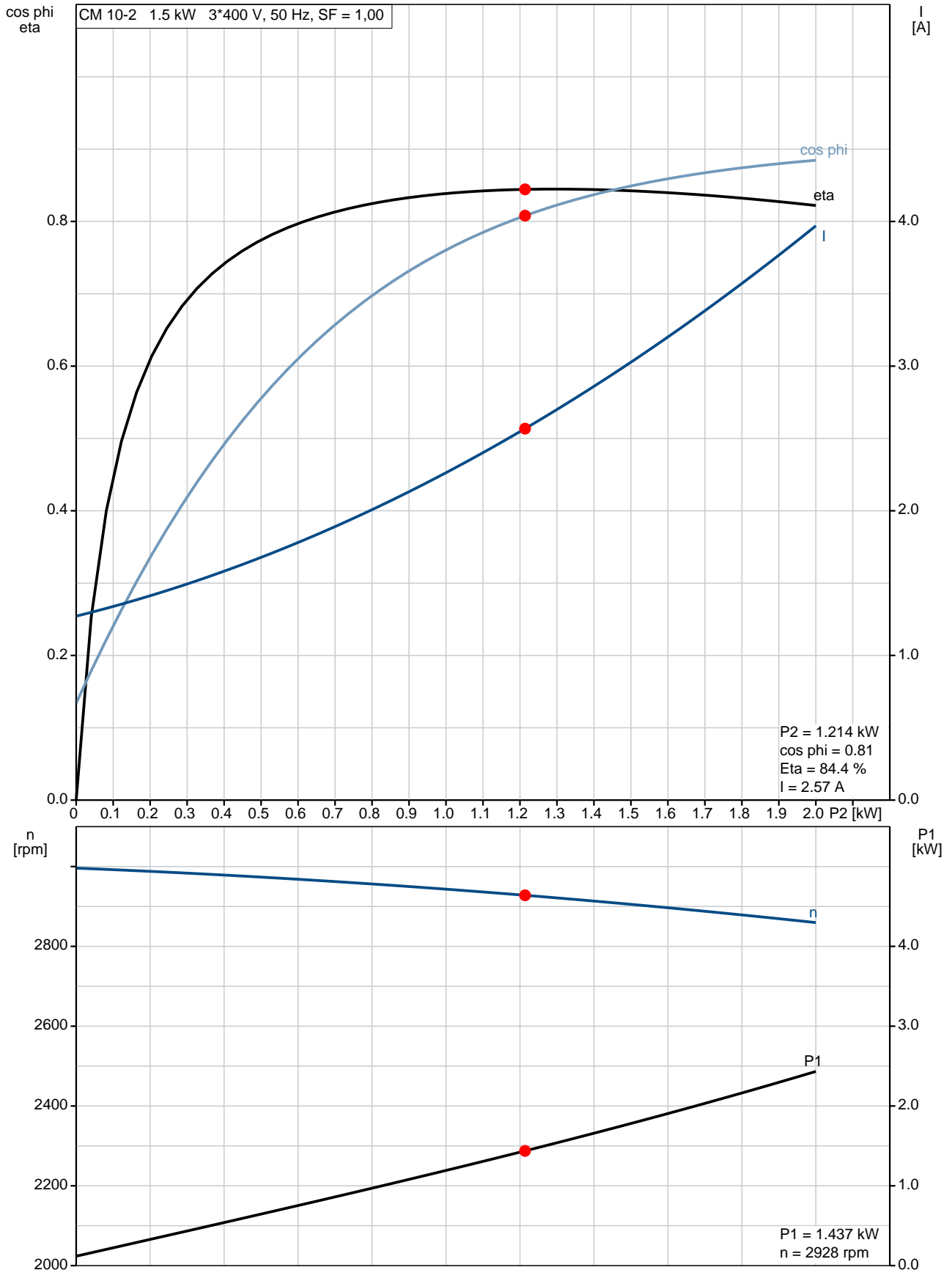
Phone:

Date:

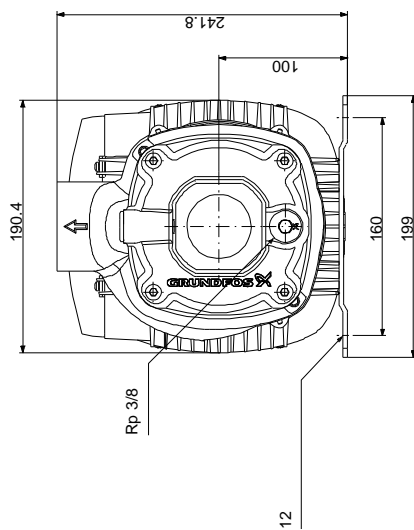
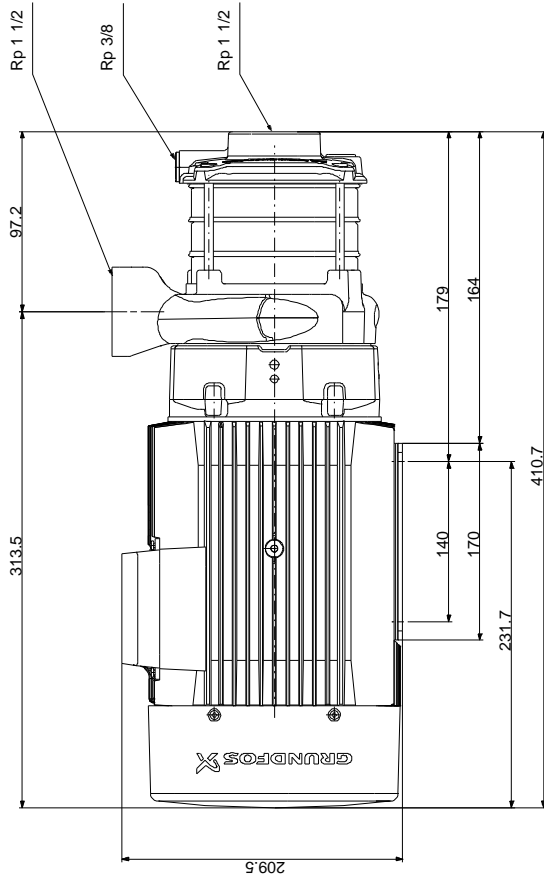
04/05/2020

Description	Value
<b>Controls:</b>	
Frequency converter:	NONE
<b>Others:</b>	
Terminal box position:	12
Minimum efficiency index, MEI :	0.7
Net weight:	31.3 kg
Gross weight:	33.8 kg
Approvals:	CE,CCC,WRAS,ACS,TR,E AC

## On request CM 10-2 A-R-A-E-AVBE F-A-A-N 50 Hz

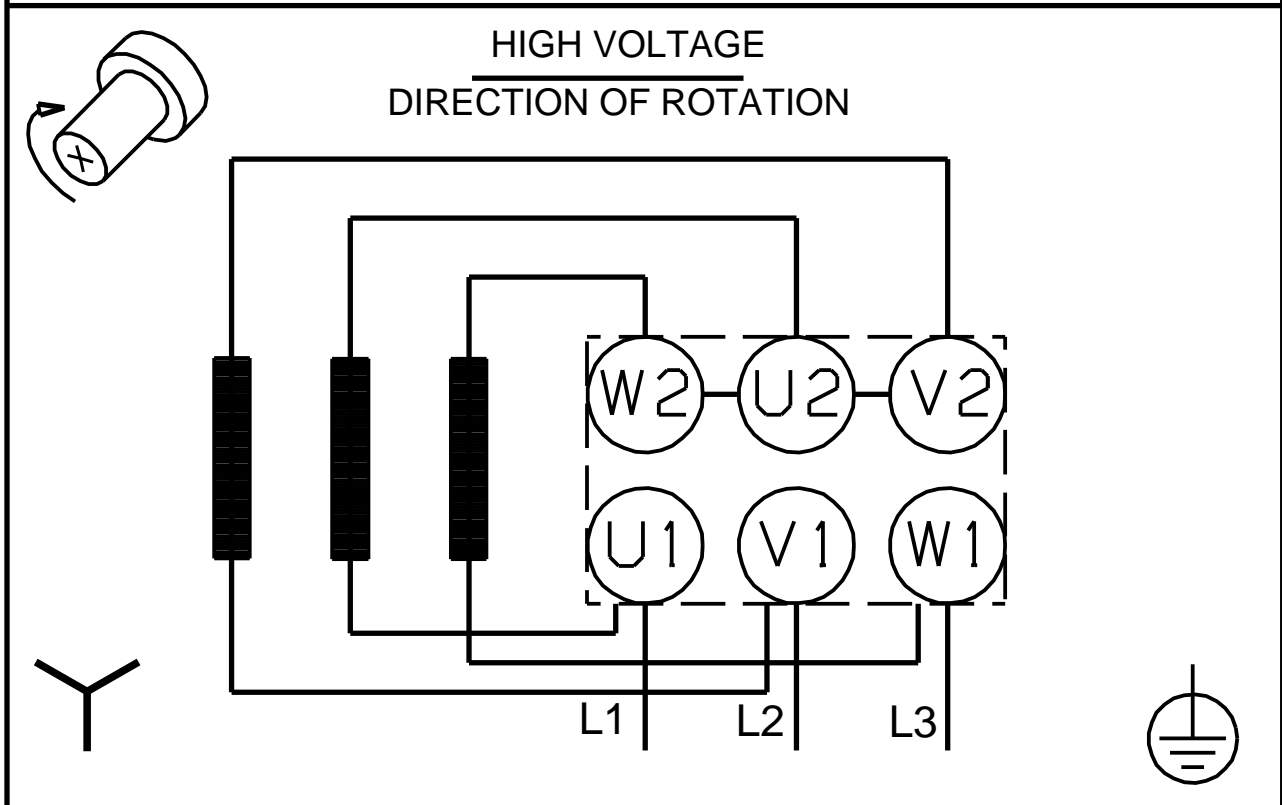
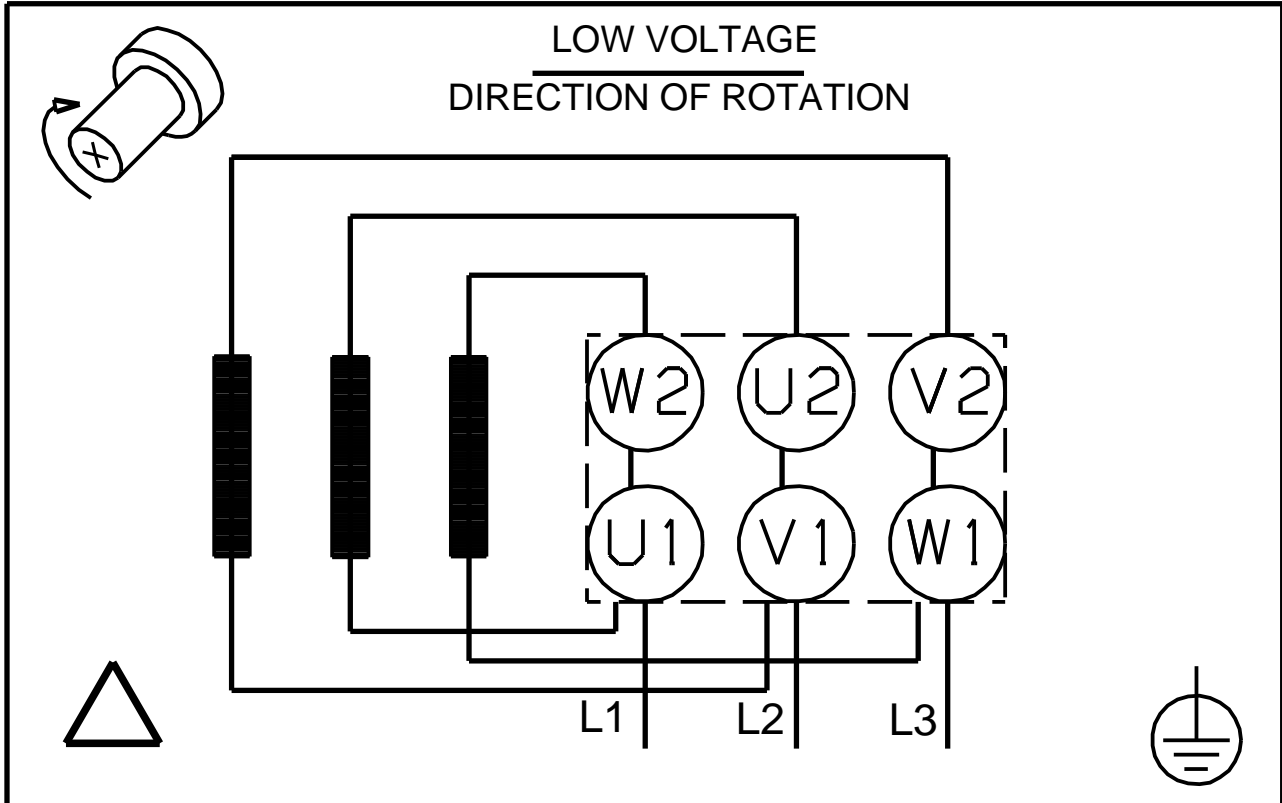


## On request CM 10-2 A-R-A-E-AVBE F-A-A-N 50 Hz



Note! All units are in [mm] unless others are stated.  
Disclaimer: This simplified dimensional drawing does not show all details.

**On request CM 10-2 A-R-A-E-AVBE F-A-A-N 50 Hz**



Note! All units are in [mm] unless others are stated.